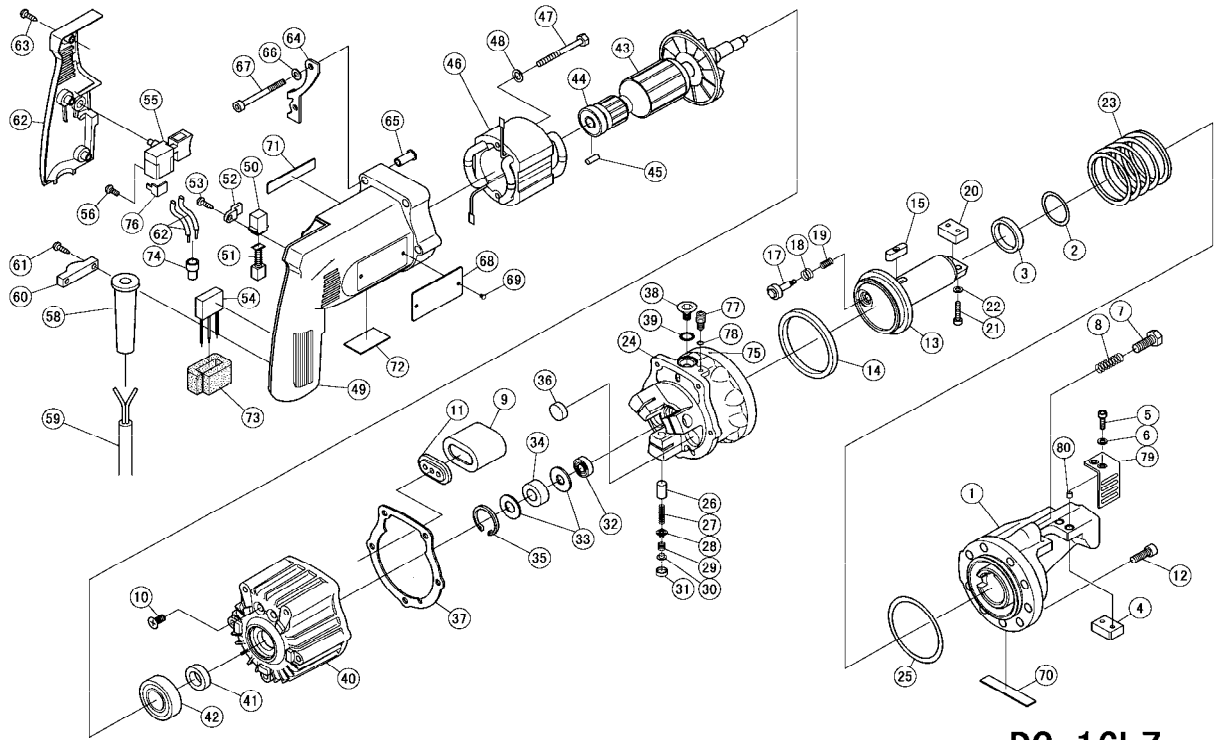


**DC-16LZ REBAR CUTTER**



**DC-16LZ**

| No. | Part No.  | Part Name               | Q'ty | No. | Part No.  | Part Name             | Q'ty | No. | Part No.  | Part Name           | Q'ty |
|-----|-----------|-------------------------|------|-----|-----------|-----------------------|------|-----|-----------|---------------------|------|
| 1   | 1C2025700 | HOUSING                 | 1    | 27  | 1C1972    | RAM RETURN SPRING     | 3    | 52  | 3V0001P   | HOLDER PIECE        | 2    |
| 2   |           |                         | 1    | 28  | 1C1973    | DELIVERY VALVE        | 3    | 53  | 7NS04016  | TAPPING SCREW D4X16 | 2    |
| 3   | 1C16021   | SEAL PACKING SKY30      | 1    | 29  | 1C1331    | DELIVERY VALVE SPRING | 3    | 54  | 3V0001W   | CONDENSER           | 1    |
| 4   | 1C4079100 | CUTTER BLOCK NO.16Z     | 1    | 30  | 1C13352   | SPRING GUIDE          | 3    | 55  | 4V0001N   | SWITCH              | 1    |
| 5   | 1C1313    | CAP BOLT M5XM15         | 2    | 31  | 1C13292   | PUMP HEAD SEAL        | 3    | 56  | 7WB035006 | SCREW M3.5X6        | 2    |
| 6   | 1C1311W   | SPRING WASHER M5        | 2    | 32  | 3P1030    | BEARING 608           | 1    | 57  | 3V0001R   | LEAD WIRE           | 1    |
| 7   | 7B810025  | STOPPER BOLT M10X25     | 1    | 33  | 1C1325    | BEARING GUIDE         | 2    | 58  | 3V0001Z   | CORD ARMER          | 1    |
| 8   | 1C4079400 | LOCK SPRING             | 1    | 34  | 1C13401   | NEEDLE BEARING        | 1    | 59  | 1C1961F   | CORD SET            | 1    |
| 9   | 1C4078900 | AIR BAG                 | 1    | 35  | 1C1326    | SNAP RING H27         | 1    | 60  | 1CL001Q   | CORD CLIP           | 1    |
| 10  | 7ST0612   | TAPPING SCREW (+) 6x12  | 2    | 36  | 3P1044    | MAGNET FILTER         | 2    | 61  | 7FNS04016 | TAPPING SCREW D4X16 | 2    |
| 11  | 1C4079000 | AIRBAG NUT              | 1    | 37  | 1C4079300 | PUMP CASE PACKING     | 1    | 62  | 3V0001L   | HANDLE COVER        | 1    |
| 12  | 7CB08022  | CAP BOLT M8X22          | 9    | 38  | 7SB0812   | OIL PLUG M8x12        | 1    | 63  | 7WNS04020 | TAPPING SCREW D4X20 | 3    |
| 13  | 1C3039700 | PISTON                  | 1    | 39  | 70RP10    | O RING P-10           | 1    | 64  | 3V0001V   | FOOT                | 1    |
| 14  | 7FU0825L0 | SEAL PACKING OSI66-56-6 | 1    | 40  | 1C2025800 | PUMP CASE             | 1    | 65  | 3V0001S   | SLEEVE              | 5    |
| 15  | 1C4079701 | PISTON KEY 7X8X24       | 1    | 41  | 1C1342    | OIL SEAL              | 1    | 66  | 7PW0005   | PLATE WASHER M5     | 5    |
| 17  | 1CL0123   | RETURN VALVE            | 1    | 42  | 76002VV   | BALL BEARING 6002VV   | 1    | 67  | 7CB05075  | CAP BOLT M5X75      | 5    |
| 18  | 1CL0143   | RETURN VALVE SPRING     | 1    | 43  | 3V0001E   | ARMATURE WITH CAM     | 1    | 68  |           | NAME PLATE          | 1    |
| 19  | 1C1922    | VALVE END SPRING        | 1    | 44  | 7608VV    | BALL BEARING          | 1    |     |           |                     |      |
| 20  | 1C4079100 | CUTTER BLOCK NO.16Z     | 1    | 45  | 1CL001P   | BEARING LOCK          | 1    | 73  | 1CL001R   | SUPPORT B           | 1    |
| 21  | 7CB05015  | CAP BOLT M5X15          | 2    | 46  | 3V0001D   | STATOR COIL           | 1    | 74  | 1CL001M   | CONNECTOR           | 1    |
| 22  | 1C1311W   | SPRING WASHER M5        | 2    | 47  | 7HT04070  | TAPPING SCREW D4X70   | 2    | 75  | 1DBR2943  | STEEL BALL 5/32     | 2    |
| 23  | 1CL016    | RETURN SPRING           | 1    | 48  | 7SW0004   | SPRING WASHER M4      | 2    |     |           |                     |      |
| 24  | 1C2025600 | CYLINDER                | 1    | 49  | 3V0001K   | MOTOR HOUSING         | 1    |     |           |                     |      |
| 25  | 70RG60    | O RING                  | 1    | 50  | 1CL001C   | BRUSH HOLDER          | 2    |     |           |                     |      |
| 26  | 1C1971    | RAM                     | 3    | 51  | 1C1361A   | CARBON BRUSH SET      | 2    |     |           |                     |      |