

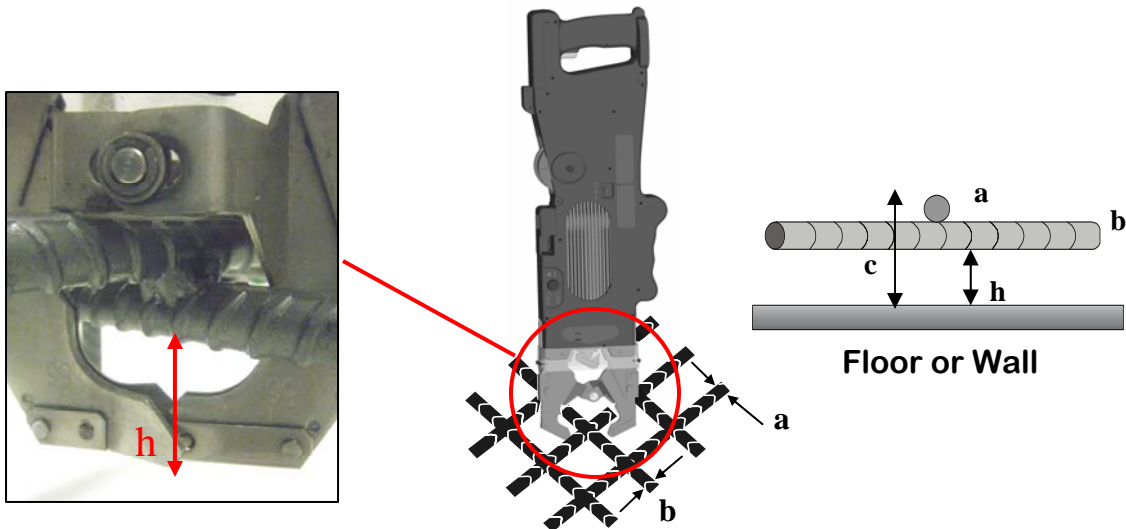


# Benner-Nawman, Inc.

3450 Sabin Brown Road • Wickenburg, Arizona 85390

(800) 992-3833 • (928) 684-2813 • mail@bnproducts.com • bnrebartools.com • Fax: (928) 684-7041

## What you need to know about wire guide clearances on the BNT-64 cordless tier.



Part Number and Description	Maximum Tying Capacity in Rebar Sizes  $a + b$	Maximum Tying Capacity in Diameter	Clearance required from top of the rebar (a) to floor or wall $c$	Wire Guides have Markings, Stamped with:
#26 WIRE GUIDE	#4 + #5	29 mm or 1.13"	2"	48
#32 WIRE GUIDE	#6 + #6	38 mm or 1.48"	2.5"	56
#51 WIRE GUIDE	#8 + #8	51 mm or 1.99"	3"	73
#64 WIRE GUIDE	#10 + #10	64 mm or 2.50"	3.375"	84 or NA

How to calculate (h) the distance from the bottom of the rebar (b) to floor or wall:

$$c - (a + b) = h$$

The BN-TIER is designed to lock and disable the tying switch unless the wire guide is completely closed around the reinforcing bars or object being tied. Use the BN-TIER after placing spacers (rebar chairs, wood, pipe, etc.) under the reinforcing bars to the required height. A rebar/mesh lifting tool can also be used to elevate the rebar.

NA –Not Available, No Markings.